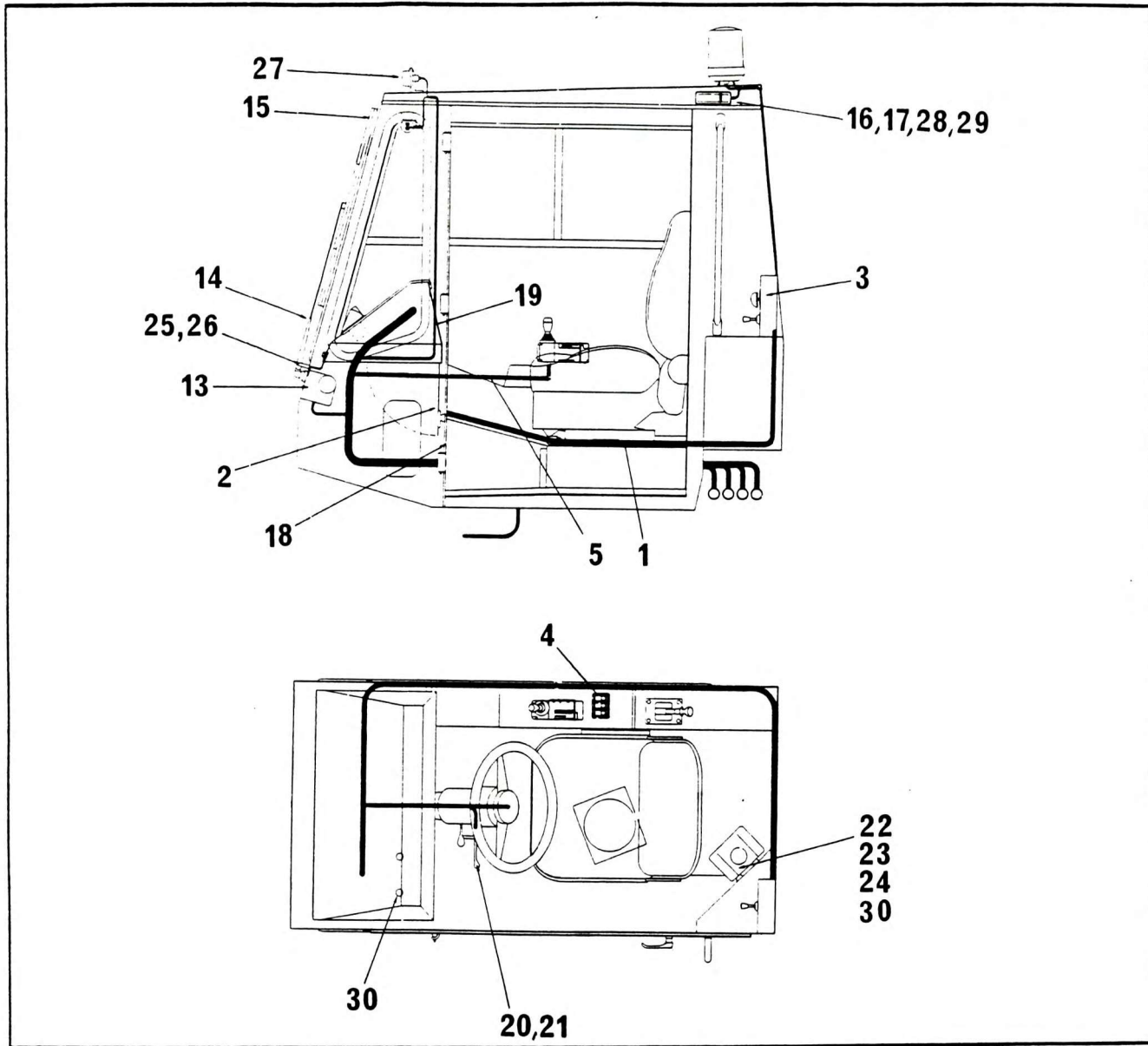


ELECTRICAL ASSEMBLY CAB



NO.	PART NO.	QTY.	DESCRIPTION	NO.	PART NO.	QTY.	DESCRIPTION
1 +	6-978-990601	1	Elect Assy Dashpanel Carrier	21	7176718	1	Bulb 24 Volt
2 +	6-978-990613	1	Elect Assy Relay Panel Carrier	22	7-348-990004	1	Container Assy
3 +	6-978-990619	1	Elect Assy Rear Steer Panel	23	7-184-990023	1	Bracket
4 +	6-978-990629	1	Elect Assy Emergency	24	7-888-990001	1	'Tee' Piece
5	6-512-990288		Harness E.G.S.	25	7-304-990016	2	Jet Assy
13	7-632-990059	1	Motor Wiper 24v 2 Speed LH Park	26	6-543-001371	1	Hose 4mm Bore x 5334mm Long
14	7-033-990071	1	Arm Pantograph 600mm x 60 CTRS	27+	8934762	1	Lamp
15	7-083-990010	1	Blade Wiper	28	7-429-990027	2	Fastener Screw Quick Opening
16	7-581-990206	1	Lamp - Interior	29	7-121-131201	2	Screw M5 x 25mm L
17	8945562	1	Bulb	30	7058101	2	Screw ½" Pan Head
18	7-872-000203	1	Door Switch				+ See further breakdown in this group
19	7-872-000112	1	Dimmer Switch				6-978-990572
20	7-872-000639	1	Turnsignal Switch				Issue No. 12